

Federal
Government

Work Space



KISIK

COMMERCIAL FURNITURE

Federal Government

Supply Arrangement: **Seating**

Supply Arrangement No: E60PQ-120001/037/PQ

Supply Arrangement: Furniture for **Work Space**

Supply Arrangement No: E60PQ-140003/004/PQ

Supply Arrangement : **Collaborative Furniture**

Supply Arrangement No: E60PQ-140003/004/PQ

Darrell Brown darrell@kisik.biz phone 204-479-7556

Laurel Stefura laurel@kisik.biz phone 431-200-2345

Government Affairs

Overview of Kisik Inc. (Kisik Commercial Furniture's)
Furniture for Work Space

Supply Arrangement Procurement Strategy for
Aboriginal Business

Work Space Furniture

E60PQ-140003/004/PQ
Exp: 04/23/2029

Panels, Elements,
Panel Supports,
Freestanding Laminate

Category 1A/ 1B



Global has a collection of

- 1) Boulevard Systems
- 2) Desks
- 3) Personal storage, and filing
all suitable for private offices

Systems Furniture is a great choice for Workspaces that need to flex and adapt to today's workplace.

Free standing can be used in many applications to easily customize the office, allowing you to specify the desired level of features for each workspace.

Personal Storage and Filing can be specified to support any station's need



Work Space Furniture

E60PQ-140003/004/PQ
Exp: 04/23/2029

Height Adjustable Tables

Category 2

Choose from Electric, Crank, and Counter Balanced height adjustable mechanisms.

Height adjustable tables encourage movement and collaboration for improved productivity & health.

Essential to a changing workplace, the height adjustable table offers flexible and scalable solutions that are critical to an organization's success.



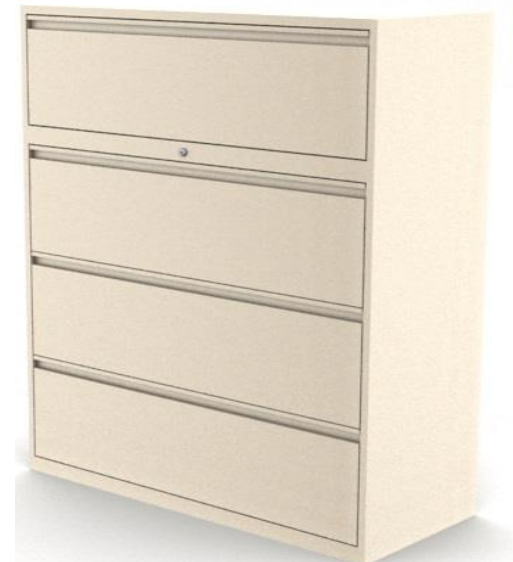
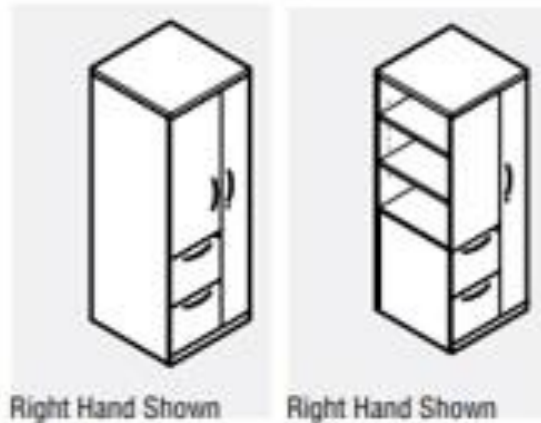
Work Space Furniture

E60PQ-140003/004/PQ
Exp: 04/23/2029

Metal Filing and Storage Cabinets

Category 3

The office space is an assortment of collective data that requires safe and secure storage while maintaining functional and effortless access. In the evolving working dynamics and where space is at a premium, personal storage towers, lateral and vertical filing, and multi-purpose pedestal options mean resources and assets are maximized to the fullest.



Work Space Furniture

E60PQ-140003/004/PQ
Exp: 04/23/2029

Wood Veneer
Freestanding Products

Category 4



Wood Veneer from Global Furniture Group brings balance and beauty to the office environment. Its transitional elegance or dramatic contemporary look is further enhanced by the breadth of product offering that allows virtually unlimited planning flexibility. Clean detailing on desk and storage edges allow for easy modular reconfiguration and versatility in open platform areas.



Please contact Kisik
directly with any
questions or for
product information.

Phone: 204-949-0646

Work Space Furniture

E60PQ-140003/004/PQ
Exp: 04/23/2029

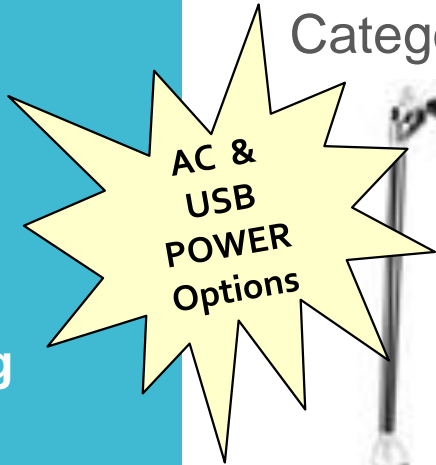
Ancillary and Lighting Products

Category 5

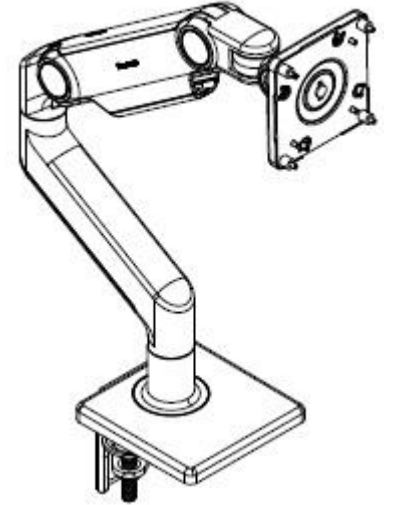
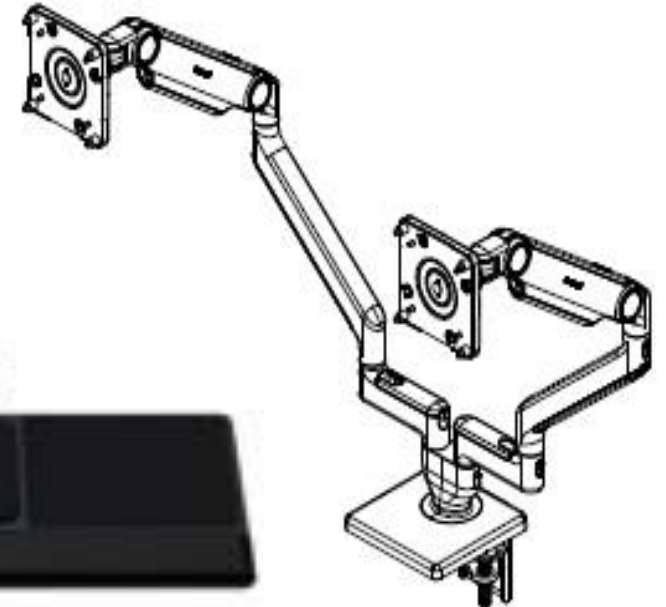
Ancillary products can elevate ergonomics by increasing productivity, reduced workplace strain, and encouraging efficiency.

The complete coordinating connects the technology of tomorrow with the workplace of today.

Every Component is positioned to work seamlessly with Kisiks Supply Arrangement for Categories 1, 2, and 4



Task Light



Work Space Furniture

E60PQ-140003/004/PQ
Exp: 04/23/2029

Collaborative Furniture, Tables
& Meeting Room Furniture

Category 6



Kisik offers many product solutions for this Category. Please contact us for details.





Work Space Furniture

E60PQ-140003/004/PQ
Exp: 04/23/2029

Contact Information

Please contact us directly for pricing

Phone: 204-949-0646

Darrell Brown – President

darrell@kisik.biz

Laurel Stefura – Sales

laurel@kisik.biz

Sales Support

support@kisik.biz